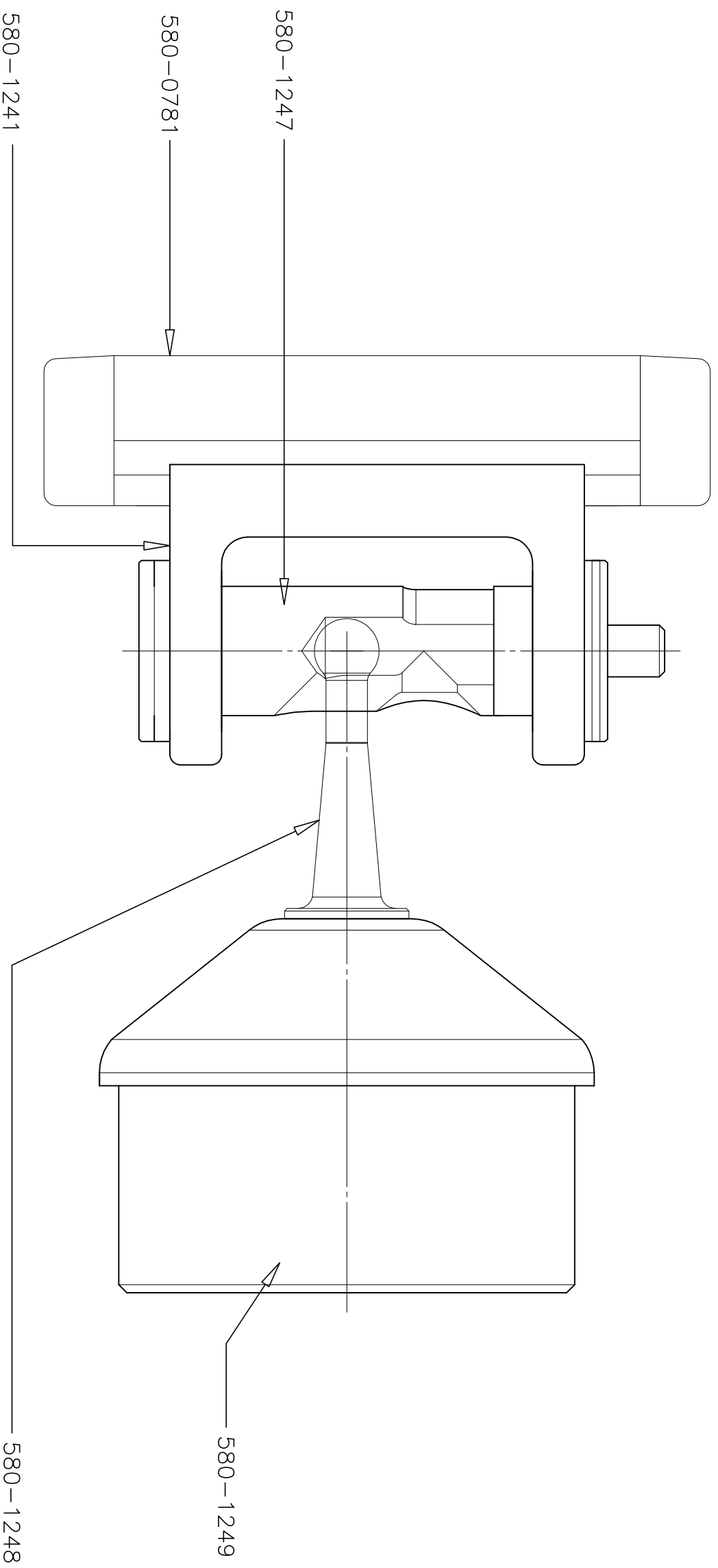


# DRAWING # 28

## OPTIONAL SPINNAKER POLE INBOARD END QUICK DISCONNECT FITTING



QUICK RELEASE CAR ASSEMBLY  
PART# 580-1000\*

SPINNAKER POLE IBE ASSEMBLY  
PART# 580-1001\*

\* PARTS MANUFACTURED BY SOUTHERN SPARS

| REVISION DETAILS |      | DRAWN | CHECKED | TITLE      |                               |
|------------------|------|-------|---------|------------|-------------------------------|
| #                | DATE | DMN   | CHK     | NO         | TITLE                         |
| 1                |      |       |         | 00         | OPTIONAL SPI POLE IBE FITTING |
|                  |      |       |         |            | SOUTHERN SPARS                |
|                  |      |       |         |            | FARR 40 ONE DESIGN            |
|                  |      |       |         |            | SECTION                       |
|                  |      |       |         |            | SCALE 1:1                     |
|                  |      |       |         |            | SHEET A3                      |
|                  |      |       |         | JOB        | DATE                          |
|                  |      |       |         | 16/10/2006 |                               |

