

Farr 40 Winch Spares



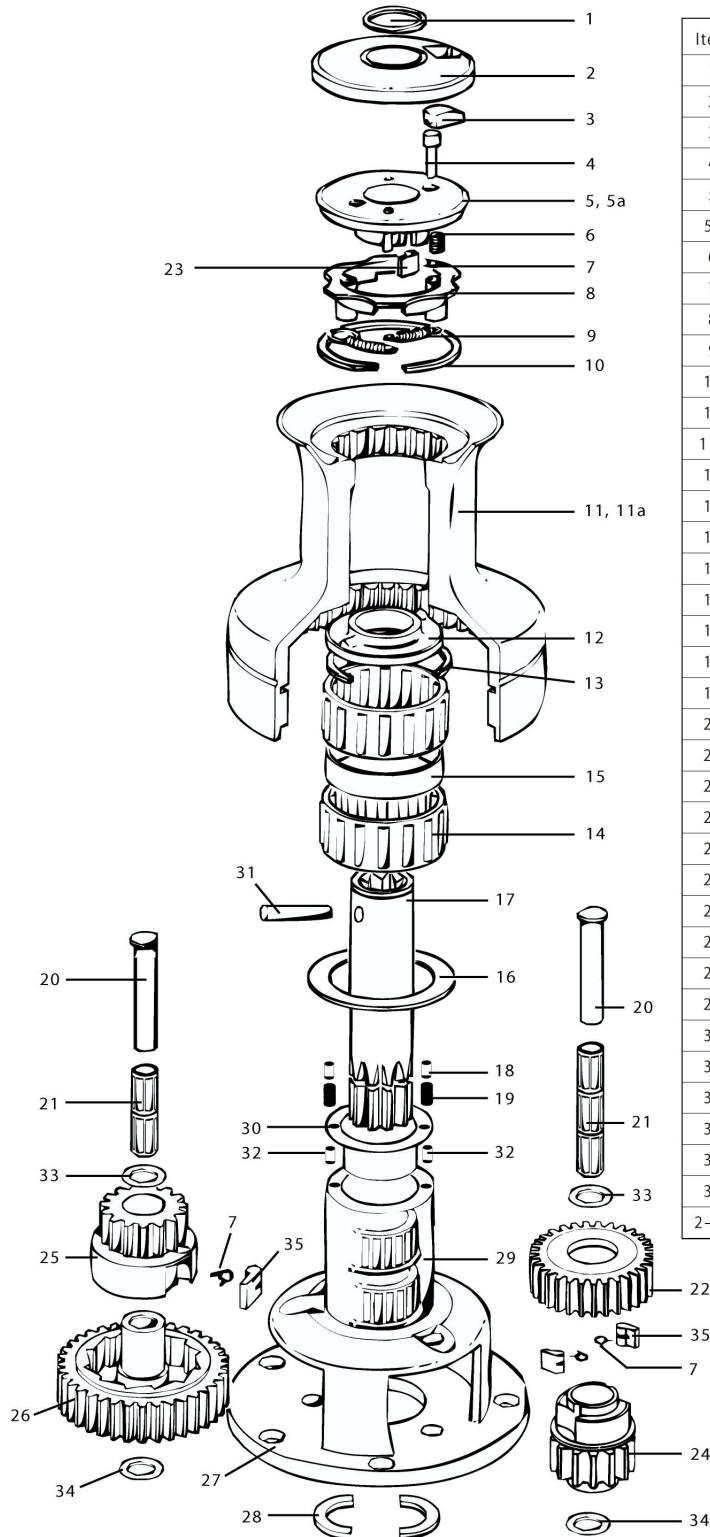
Primary Winch = 49048014 48/3 Speed AOR

Mainsheet Winch = 49044055 44/2 Speed AST

Pit Winch = 40002735 44AST Speed Ring Base
Conversion

LEWMAR®

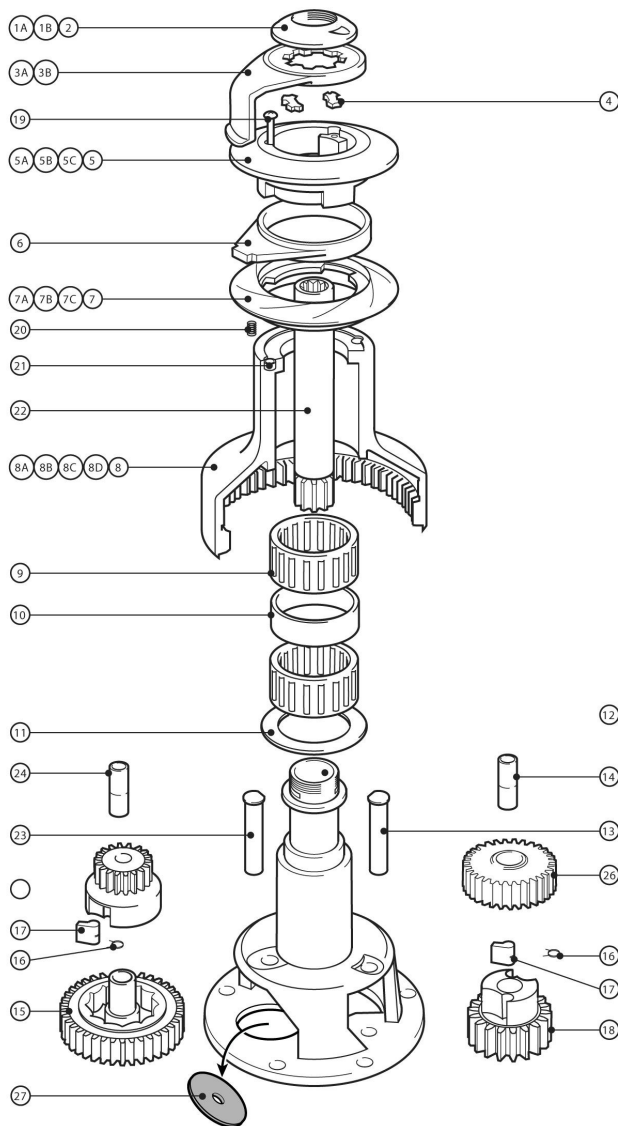
Primary 48/3-Speed - 49048014



Item	Description	Part Number	No. Off
1	Circlip	B2075	1
2	Top Cap Cover	15080106	1
3	Push Button	15044114	1
4	Plunger	15044111	1
5	Base Top Cap	15044104	1
5a	Spring - Anchor Pin	15044115	2
6	Spring	15044112	1
7	Pawl Spring	1260/7	6
8	Closing Ring	15044106	1
9	Spring	15044113	2
10	Circlip	B2083	1
11	Drum Assembly (Grey)	15003853	1
11a	Drum Assembly (Black)	15003859	1
12	Clutch Plate	15000910	1
13	Collet	15044118	2
14	Roller Bearing	48000012	2
15	Spacer	15065115	1
16	Drum Washer	45003095	1
17	Spindle	15003856	1
18	Plunger	15137203	2
19	Spring	15137204	2
20	Gear Spindle	45003114	2
21	Gear Spindle Bearing	15000017	5
22	Ratchet Gear	45000522	1
23	Pawl	15000094	2
24	Pawl Gear	45003111	1
25	Pawl Gear	15001248	1
26	Ratchet Gear	45003075	1
27	Centre Stem	48000032	1
28	Collet	15001537	2
29	Roller Bearing	18000206	2
30	Spacer	15003835	1
31	Drive Pin	15044119	1
32	Sleeve	LSK 4514/4	2
33	Washer	15000247	2
34	Washer	15000646	2
35	Pawl	15000301	4
2-10	Top Cap Assy Complete	18000155	1



Mainsheet 44 2-Speed 49044055



Item	Description	Part Number	No. Off
1a	Chrome Top Cap 44AST/44CST/44CCST	45000100	1
1b	Bronze Top Cap 44BST	45000101	1
2	'O' Ring (Fitted in Item 1a/1b)	B6061	1
3a	Chrome Feeder Arm 44AST/44CST/44CCST	45000303	1
3b	Bronze Feeder Arm 44BBST	45000304	1
4	Collet	45000102	2
5	Upper Crown (Black)	45000385	1
5a	Upper Crown (Grey) 44AST/44BST/44CST	45000305	1
5b	Bronze Upper Crown Assembly 44BBST	48044000	1
5c	Chrome Upper Crown Assembly 44CCST	48044001	1
6	Stripper Ring (Grey)	45000308	1
7	Lower Crown (Black)	45000389	1
7a	Lower Crown (Grey) 44AST/44BST/44CST	45000309	1
7b	Bronze Lower Crown Assembly 44BBST	48044005	1
7c	Chrome Lower Crown Assembly 44CCST	48044006	1
8	Drum Alloy (Black)	45000384	1
8a	Drum Alloy 44AST	45000314	1
8b	Drum Bronze 44BST/44BBST	45000316	1
8c	Drum Chrome 44CST/44CCST	45000315	1
8d	Drum Stainless Steel 44SST	45000370	1
9	Roller Bearing Assembly	15010007	2
10	Spacer	15000404	1
11	Drum Washer	15044116	1
12	Centre Stem (45000337)*	48044038	1
Item 12 is factory fitted with 15000377 Main Spindle Sleeve			
13	Gear Spindle	45000324	1
14	Gear Spindle Sleeve	15000398	2
15	Ratchet Gear	45000320	1
16	Pawl Spring	1260/7	4
17	Pawl	1260/8	4
18	Pawl Gear	15000397	1
19	M5 x 40 S/S Posidriv Pan HD Screw	B0327	3
20	Spring	45000112	6
21	Spring Cup	45000113	6
22	Main Spindle	45000318	1
23	Gear Spindle	45000323	1
24	Gear Spindle Sleeve	45000029	2
25	Pawl Gear	45000319	1
26	Ratchet Gear	45000322	1
27	Stem Disc	45000338	1

49044055 44AST CONVERTIBLE GYAL WINCH				
ITEM	DESCRIPTION	PART NUMBER	UPGRADE	Note
9	Roller Bearing Assembly	15010007		
15	Ratchet Gear	45000320		
16	Pawl Spring	1260/7		
17	Standard Pawl	1260/8	15000094	Super Pawl (small)
18	Pawl Gear (Bronze)	15000397	45003051	Heat Treated S/Steel
25	Pawl Gear (Bronze)	45000319	45003039	Heat Treated S/Steel
26	Ratchet gear	45000322		



44 2-Speed AST Pawl Gear Upgrade



- Part: **45003039 S/Steel**
- Part: **45003051 S/Steel**
- **UPGRADE**
- Bronze Pawl Gears come as standard in the Lewmar Standard Alloy winches
- As permitted in the Farr 40 Class rules we are happy to offer the S/Steel Pawl Gear upgrade.
- The benefits of this upgrade are a harder wearing gear package that will handle the higher loads from the mast head kites. Reducing the Pawl pocket distortion and the chance of back winding.
- Improving the efficiency of power transfer from input to output.
- **To Order Farr 40 Winch Spares-**
- To order spare or replacement winch parts simply Email or Phone with the **Winch Number & Part Number.**

LEWMAR UK
Tel: +(44) 2392 471841
Email: info@lewmar.com for further details

